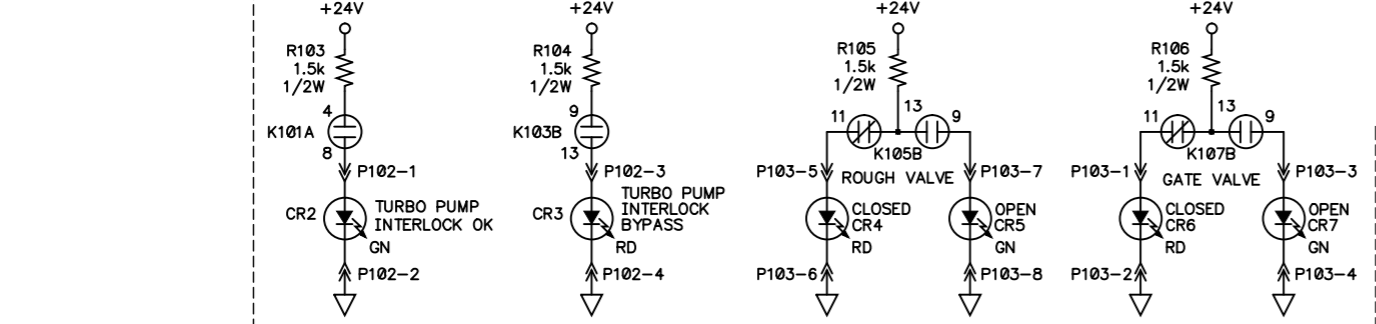
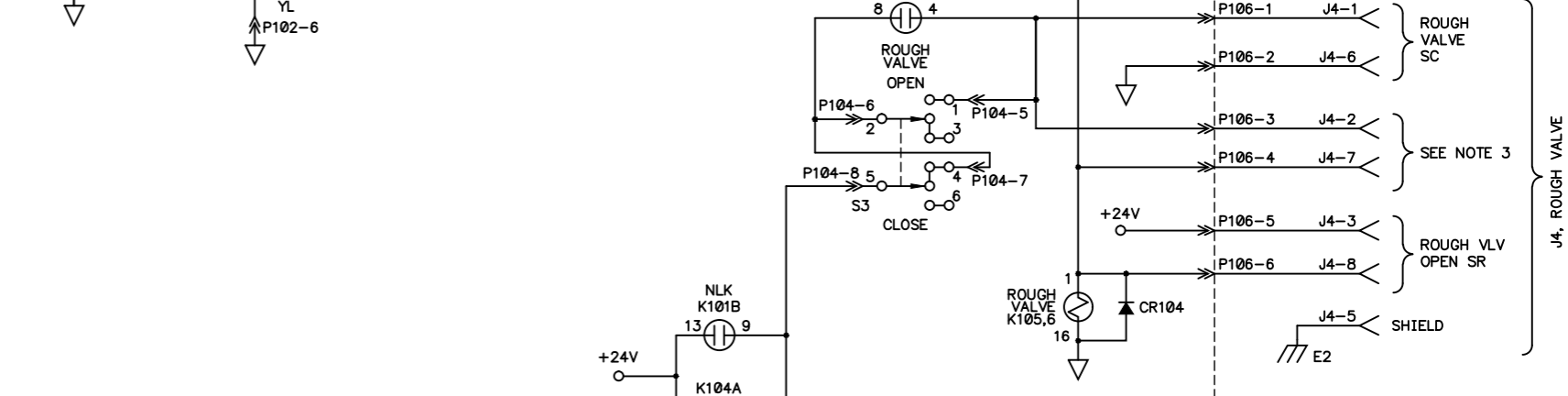
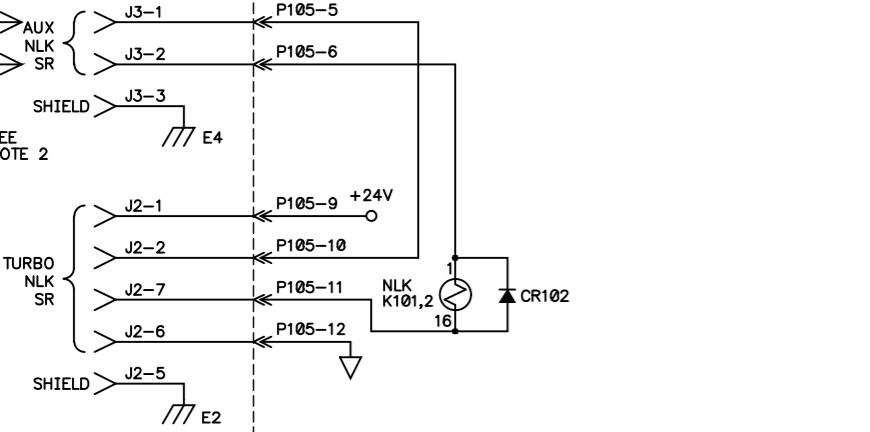
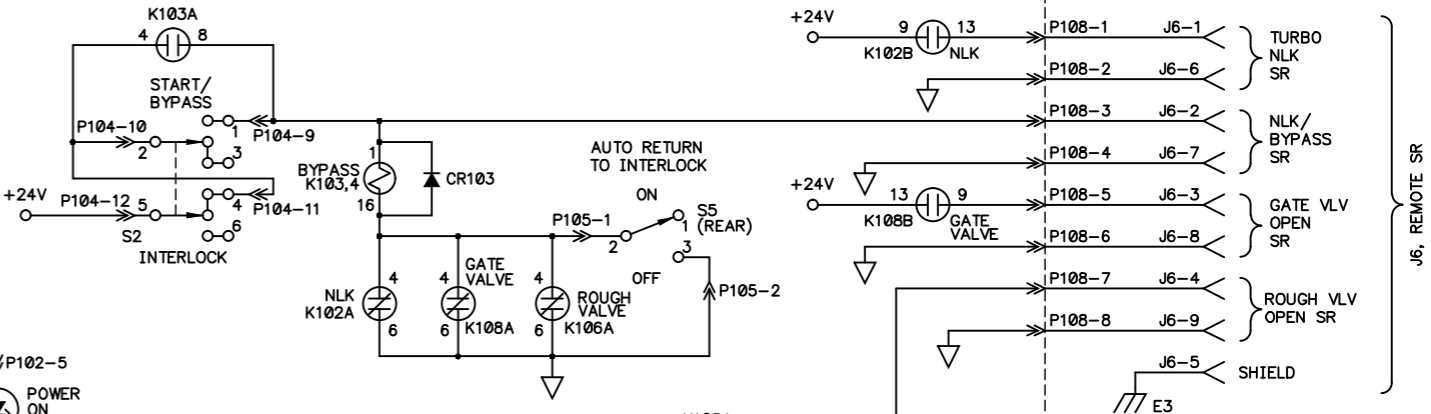


PCB1
TURBO INTERLOCK
RELAY PC BOARD
2HR072020
8-7224



NOTES:
1) P101-P108 ARE LOCATED ON PCB1.
2) WHEN NO CONNECTION IS REQUIRED AT J3, AUX NLK, JUMPER PLUG 2XL104312 MUST BE INSTALLED.
3) WHEN NO ROUGH VALVE SR IS USED AT J4, PINS 2 & 7 MUST BE JUMPERED.

B CORRECTED K1 LABELS		BMB9/17PJO9/17		8-0-7292, 8-4-7223	
A CORRECTED PSI LABELS		BMB6/17PJO6/17		DRAWN: JOSH 10/27/00	
NO.	REVISION	BY	DATE	CHKD	DATE
		JTN		JTN	
DESIGNED: AJG					
SCALE: NTS					
TURBO PUMP STATION INTERLOCK CONTROLLER - SCHEMATIC					
TOLERANCES AND FINISH UNLESS OTHERWISE SPECIFIED		THIRD ANGLE PROJECTION		PART NO. 2HS072230	
FRACTIONAL	XXX	ANGLE	HASH	SCALE	LOC
±1/64"	±.005	±.5°	125		CV
MATERIAL				DWG NO. 8-7223	