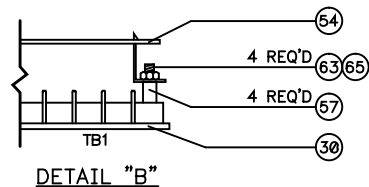
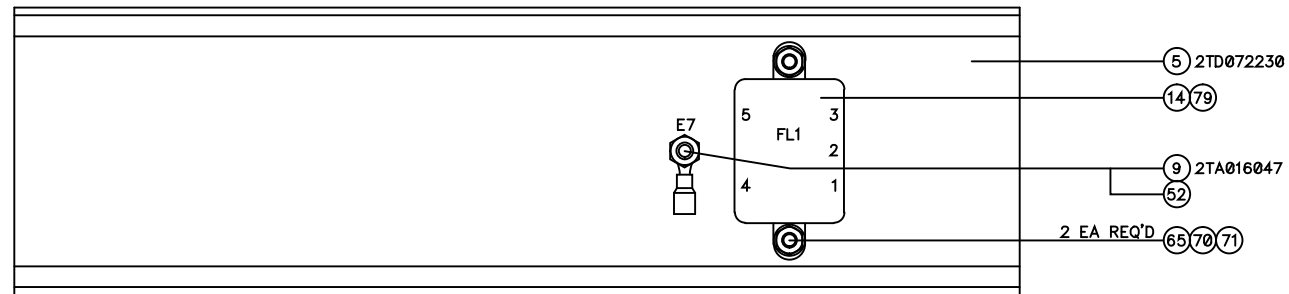
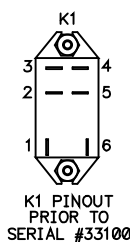


INSIDE VIEW LEFT SIDE PANEL

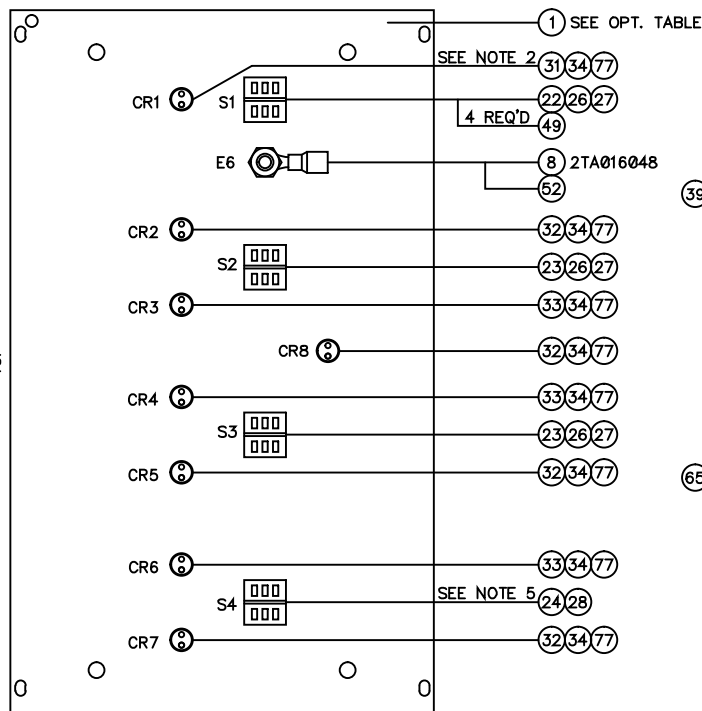
TOP



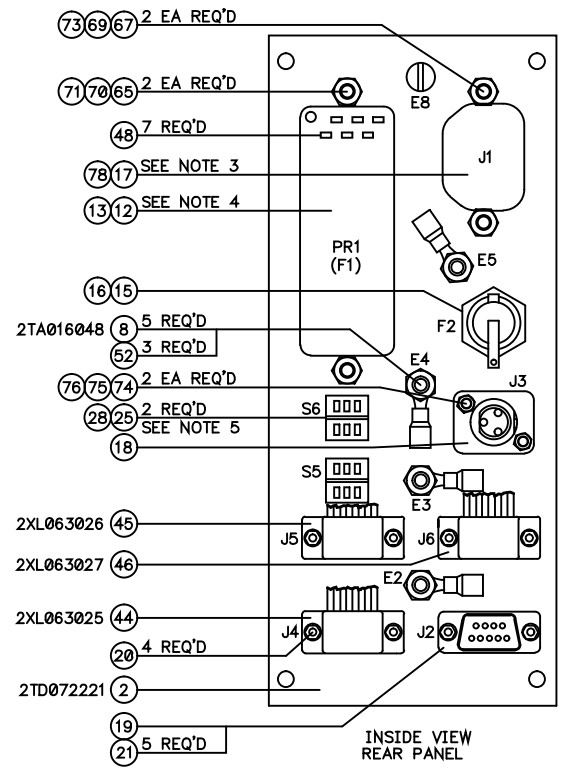
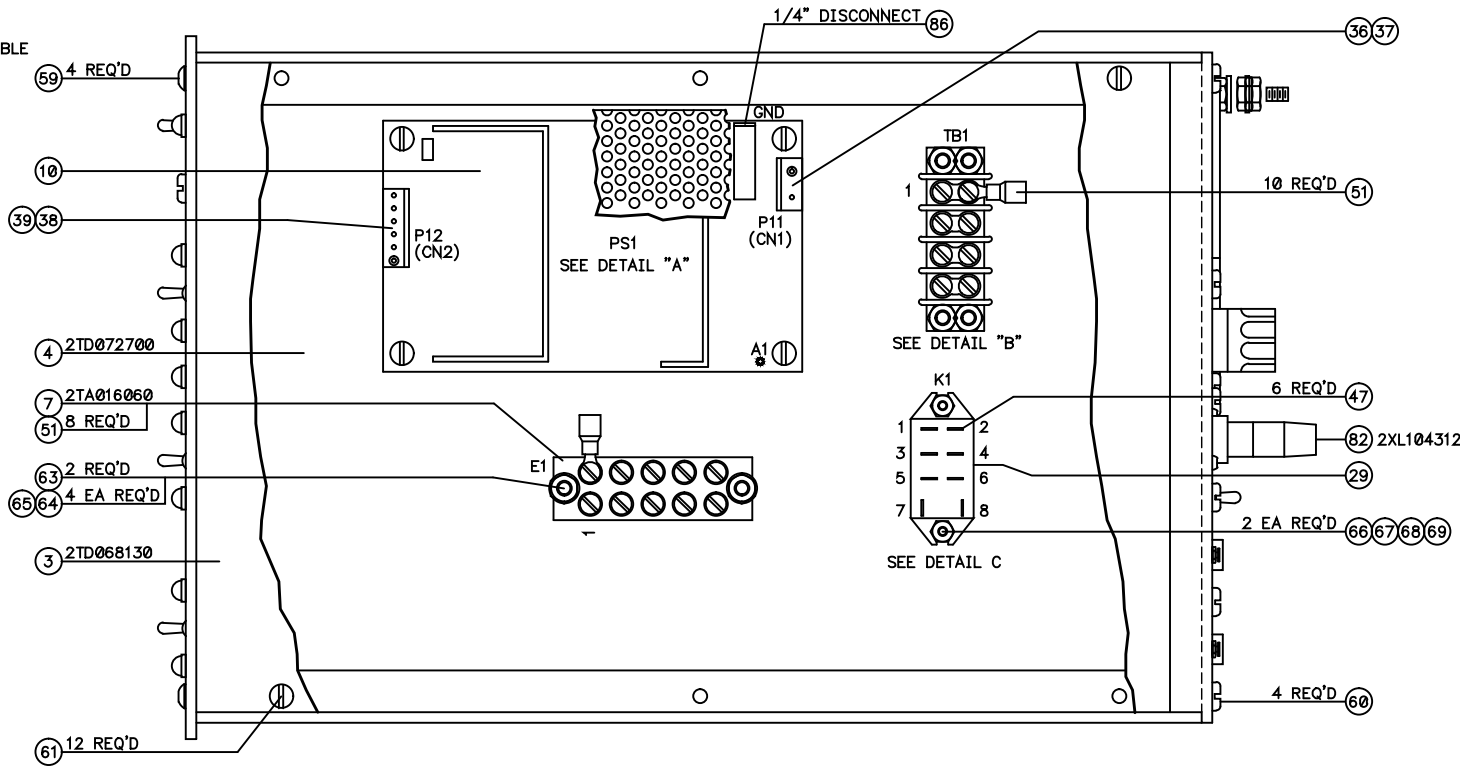
DETAIL C



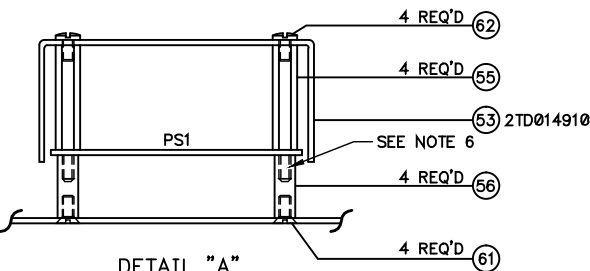
K1 PINOUT PRIOR TO SERIAL #33100



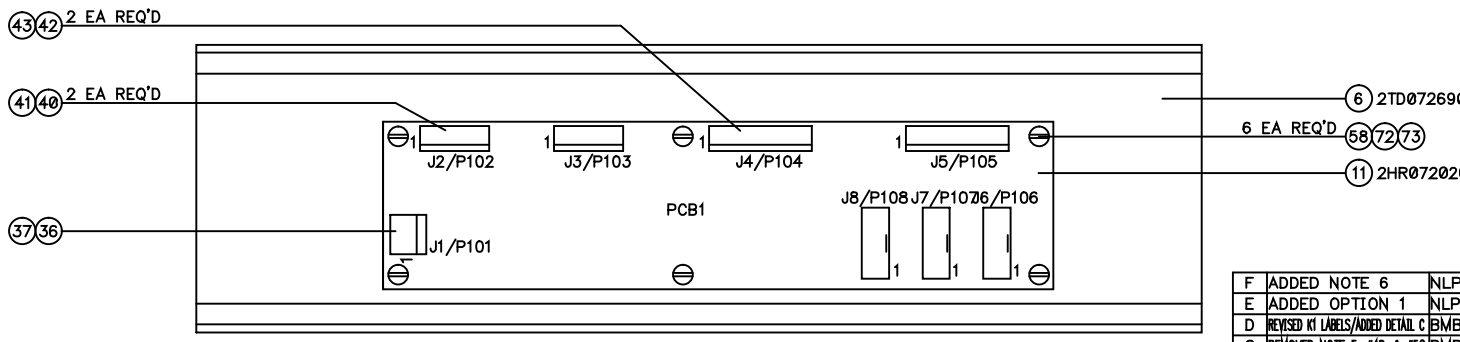
INSIDE VIEW FRONT PANEL



INSIDE VIEW REAR PANEL



DETAIL "A"



INSIDE VIEW RIGHT SIDE PANEL

- NOTES:
- ITEMS NOT SHOWN: 80-81 (WIRE)
  - INSTALL 1/16" HEATSHRINK (ITEM 77) OVER LEADS OF CR1-8.
  - INSTALL 3/16" HEATSHRINK (ITEM 78) OVER LEADS SOLDERED TO J1.
  - REMOVE AND DISCARD THE VOLTAGE SELECTION CARD FROM PR1 (ITEM 12). NO VOLTAGE SELECTION IS REQUIRED FOR 90-260VAC OPERATION.
  - INSTALL SWITCH WITH ONLY LOCKWASHER ON INSIDE OF PANEL AND ITEM 28, HEX NUT ON THE OUTSIDE.
  - APPLY ANTI-SEIZE LOCKTITE #S1069 OR EQUIVALENT TO ITEM 55 MALE THREADS, 4 PLACES.

OPTION TABLE

OPT.	ASSY. NO.	ITEM 1 FRONT PNL	DESCRIPTION
0	2HA072920	2TD072210	5.25" RACKMOUNT
1	2HA072921	2TD072920	3.5" SIDE MOUNT

F	ADDED NOTE 6	NLP	11/8/19	PJO	1/8/19
E	ADDED OPTION 1	NLP	3/16/18	AJG	3/16/18
D	REVISED KI LABELS/ADDED DETAIL C	BMB	9/7/17	PJO	9/7/17
C	REMOVED NOTE 5, #48, & #50	BMB	8/16/17	PJO	8/16/17
B	ADDED ITEM 69	NLP	6/9/15	PJO	6/9/15
A	ADDED NOTE 6	NLP	4/4/14	PJO	4/4/14

NO.	REVISION	BY	DATE	QCD	DATE	CHECKED	DESIGNED
						JTN	AJG

SCALE: 1=1

TURBO PUMP STATION INTERLOCK CONTROLLER - ASSEMBLY

PART NO. SEE OPTION TABLE

LOC CV

8-7223, 8-4-7223

SEE PARTS LIST

8-0-7292